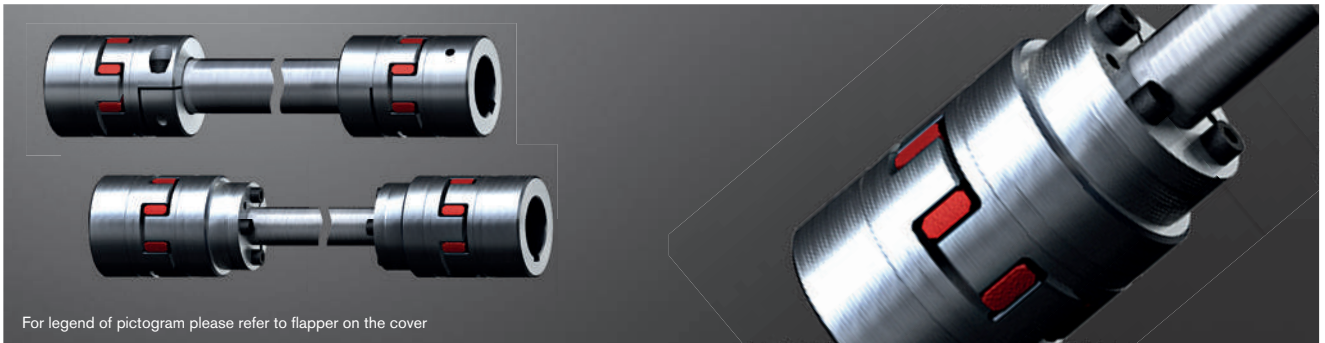


ROTEX® GS ZR1 and ZR2

Backlash-free intermediate shaft couplings

Intermediate shaft couplings with steel pipe/steel shaft



For legend of pictogram please refer to flapper on the cover



ROTEX® GS Type ZR1																	
Size	Spider GS ¹⁾ torque T _{KN} [Nm]		Finish bore d ²⁾ Max.	Dimensions [mm]								Cap screw DIN EN ISO 4762 - 8.8 Mxl	Tightening torque T _A [Nm]	Friction torque T _R [Nm]			
	98 ShA	64 ShD		D _H	l ₁ , l ₂	L	E	b	s	B	L _{R1}				Minimum dimension for L _{R1}	L _{ZR1}	d _R ³⁾
14 ZR1	12.5	16.0	16	30	11	35	13	10	1.5	11.5	Please specify with inquiries and orders.	71	L _{R1} +22	14x2.5	M3x12	1.34	6.1
19 ZR1	21.0	26.0	24	40	25	66	16	12	2.0	14.0		110	L _{R1} +50	20x3.0	M6x16	10.5	34
24 ZR1	60	75	28	55	30	78	18	14	2.0	16.0		128	L _{R1} +60	25x2.5	M6x20	10.5	45
28 ZR1	160	200	38	65	35	90	20	15	2.5	17.5		145	L _{R1} +70	35x4.0	M8x25	25	105
38 ZR1	325	405	45	80	45	114	24	18	3.0	21.0		180	L _{R1} +90	40x4.0	M8x30	25	123

ROTEX® GS Type ZR2																			
Size	Spider GS ¹⁾ torque T _{KN} [Nm]		Finish bore d ²⁾ Max.	Dimensions [mm]								Precision tube [mm] [Nm ² /rad]	Clamping set size KTR 250	Clamping screws N EN ISO 4762 - 12.9 Mxl	Tightening torque T _A [Nm]				
	98 ShA	64 ShD		D _H	l ₁ , l ₂	l ₃	L	E	b	s	B					L _{R2}	Minimum dimension for L _{R2}	L _{ZR2}	d _R
14 ZR2	12.5	16.0	16	30	11	26	50	13	10	1.5	11.5	Please specify with inquiries and orders.	109	L _{R2} +22	10x2.0	68.36	10x16	M4x10	5.6
19 ZR2	21.0	26.0	24	40	25	26	67	16	12	2.0	14.0		120	L _{R2} +50	12x2.0	130	12x18	M4x10	5.6
24 ZR2	60	75	28	55	30	38	86	18	14	2.0	16.0		156	L _{R2} +60	20x3.0	954.9	20x28	M6x18	17.0
28 ZR2	160	200	38	65	35	45	100	20	15	2.5	17.5		177	L _{R2} +70	25x2.5	1811	25x34	M6x18	17.0
38 ZR2	325	405	45	80	45	45	114	24	18	3.0	21.0		192	L _{R2} +90	32x3.5	5167	32x43	M6x18	17.0
42 ZR2	450	560	55	95	50	52	128	26	20	3.0	23.0		214	L _{R2} +100	40x4.0	11870	40x53	M6x18	17.0
48 ZR2	525	655	62	105	56	70	154	28	21	3.5	24.5		261	L _{R2} +112	45x4.0	17486	45x59	M8x22	41.0
55 ZR2	685	825	74	120	65	80	175	30	22	4.0	26.0		288	L _{R2} +130	55x4.0	33543	55x71	M8x22	41.0
65 ZR2	940	1175	80	135	75	80	185	35	26	4.5	30.5		387	L _{R2} +150	60x4.0	44362	60x77	M8x22	41.0

¹⁾ Other spiders/selections see page 18 et seqq.

²⁾ Dependent on type of hub. Hub types can be freely selected, for summary see page 124.

³⁾ Has to be remachined, if necessary.

⁴⁾ Torsion spring stiffness with a length of 1 m of intermediate pipe.

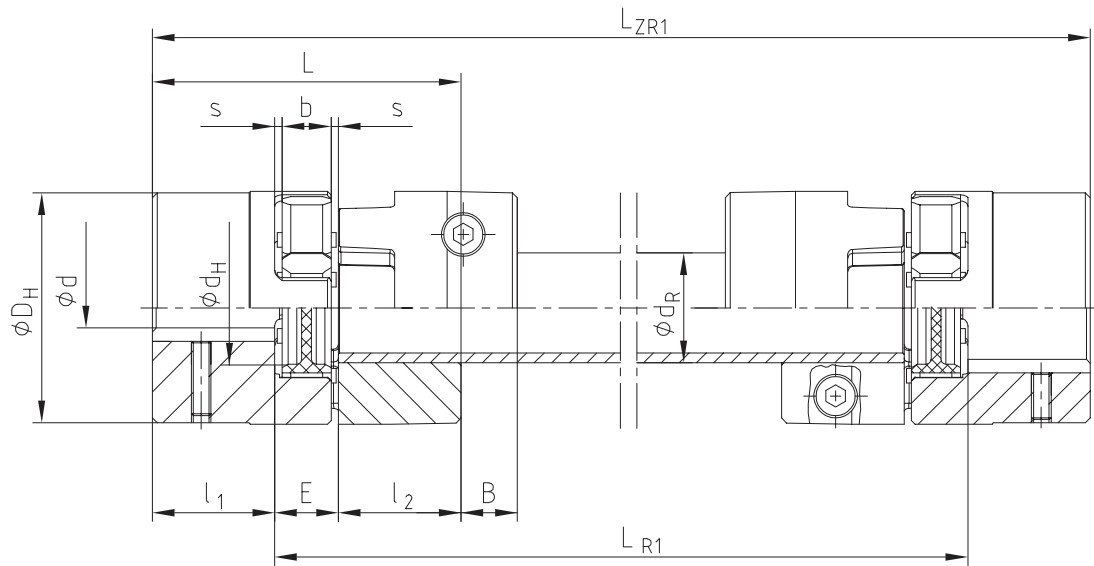
For inquiries and orders please specify the shaft distance dimension L_{R1}/L_{R2} along with the maximum speed to review the critical bending speed.

With vertical application a support washer has to be used (please specify in your order).

Straightness/concentricity of pipes according to DIN EN 10305-1.

Ordering example:	ROTEX® GS 24	ZR1	1000 mm	98 ShA-GS	1.0 - Ø24	2.5 - Ø24
	Coupling size	Type	Shaft distance dimension (L _{R1} /L _{R2})	Spider hardness	Hub design Finish bore	Hub design Finish bore

Type ZR1



Type ZR2

